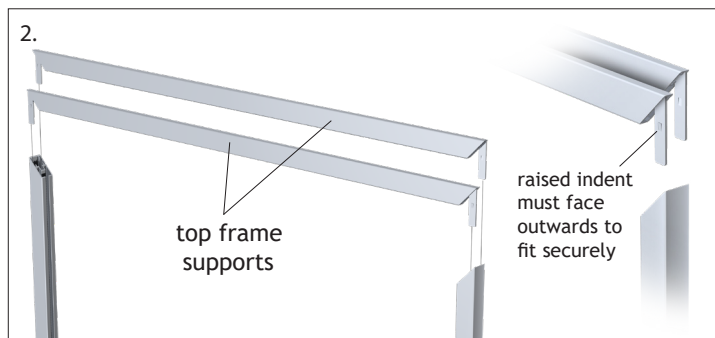
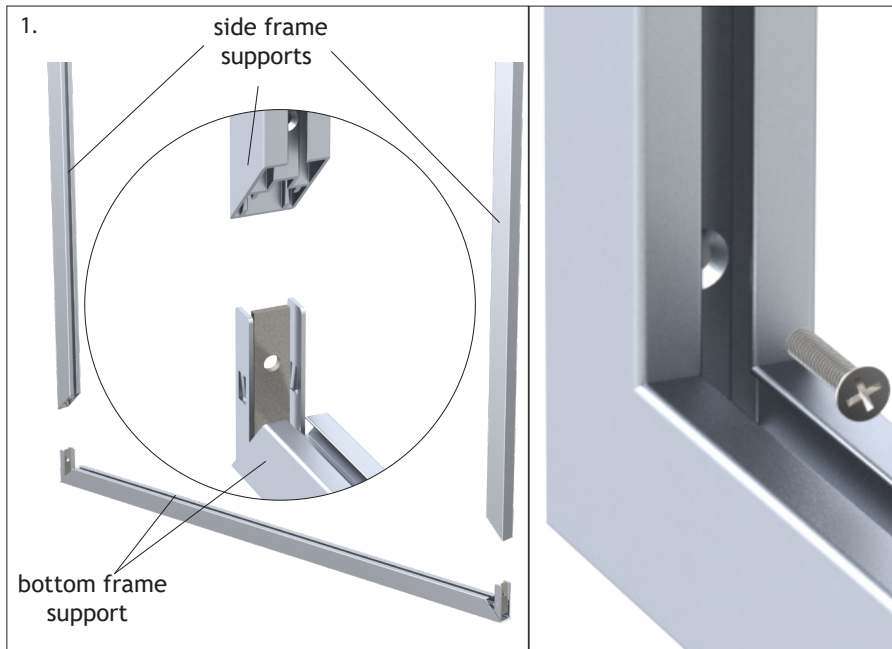


# Rolling Teacher Shield™ - RTS Series

## Frame Assembly

1. Press bottom frame support into side frame supports, then fasten screw at bottom of frame sides.
2. Press top frame support halves into side frame supports.
3. Continue assembly instructions on next page.



# Rolling Teacher Shield™ - RTS Series

1. Attach the upright to the base using the screws provided, as shown below.
2. Attach the bottom crossbar in between the uprights, using the knob screws provided. The uprights have threaded inserts for attaching the frame.
3. Attach the frame to the uprights using the screws provided.
4. Insert the clear panel.

