

Collage Pop-Ups™

Tension Fabric



Complete Collage Kit 43K1

Clever Non Traditional Pop-Up™

- Create 3D effects
- Lightweight aluminum
- Instant set-up - take down
- Incredibly eye-catching
- Infinite configurations
- Padded Roller Bag included

Pick - a - Kit Catalog



Complete Kits include:
Custom printed graphics, frame & padded roller bag.



Bolt based system allows easy changes

Extraordinary 3D Graphic Effects

Eight Standard Frame Structures



LGP3



LGP6



LGX



LG13



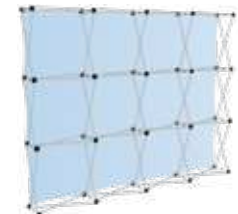
LG22



LG23



LG33



LG43

Collage Pop-Up- Graphics

- High impact 720 dpi Dye Sub Printing
- Virtually “wrinkle free” stretch fabric
- Complete catalog with 90 designs at:
<http://www.displayfolio.com/pdf-viewer/pdf/collage-pick-a-kit-2018.pdf>



Extraordinary 3D Graphic Effects



P3K1 Kit



P6K10 Kit



XK1 Kit



Note: Flags are stretched to the four points of contact with frame, please keep essential design elements (logos, text) at least 3"-5" from edges to have less distortion. When designing keep in mind focus point is 3"-5" from outer edges. Fabric is **not** transparent.

Presto Pop-Ups™

Tension Fabric



PFK33 with GF33A graphic and (2) LEDPU accessory lights.

Superwide sizes available see page 135

A Virtual Portable Billboard

- Graphic stays attached to frame in bag
- Hook perimeters included
- Incredibly easy, two minute set-up without tools
- Free oversized nylon carry bag with every frame
- Upgraded Portable Exhibit Cases available
- Ultra lightweight alloy tubes
- Matte silver finish
- Adjustable leveling feet
- Bolt based system, add or subtract components



Perfect for:

Tradeshows

Exhibits

Step & Repeat Backdrops

Retail Environments



Specify: **FRAME** Model Note: **EPB1** Brackets sold separately.

Model	W x H	Weight	# EPB1 Brackets needed for use with end panels
PFK13	1 x 3 Quads	16 lbs.	8
PFK22	2 x 2 Quads	17 lbs.	6
PFK23	2 x 3 Quads	20 lbs.	8
PFK32	3 x 2 Quads	20 lbs.	6
PFK33	3 x 3 Quads	23 lbs.	8
PFK43	4 x 3 Quads	31 lbs.	8
PFK44	4 x 4 Quads	36 lbs.	10
PFK53	5 x 3 Quads	36 lbs.	8
Curved			
PFK33C	3 x 3 Quads	25 lbs.	8
PFK43C	4 x 3 Quads	31 lbs.	8

Note: Each quad is approximately 30" x 30".



Travel Bag included with every unit.

Presto Pop-Ups™ Tension Fabric

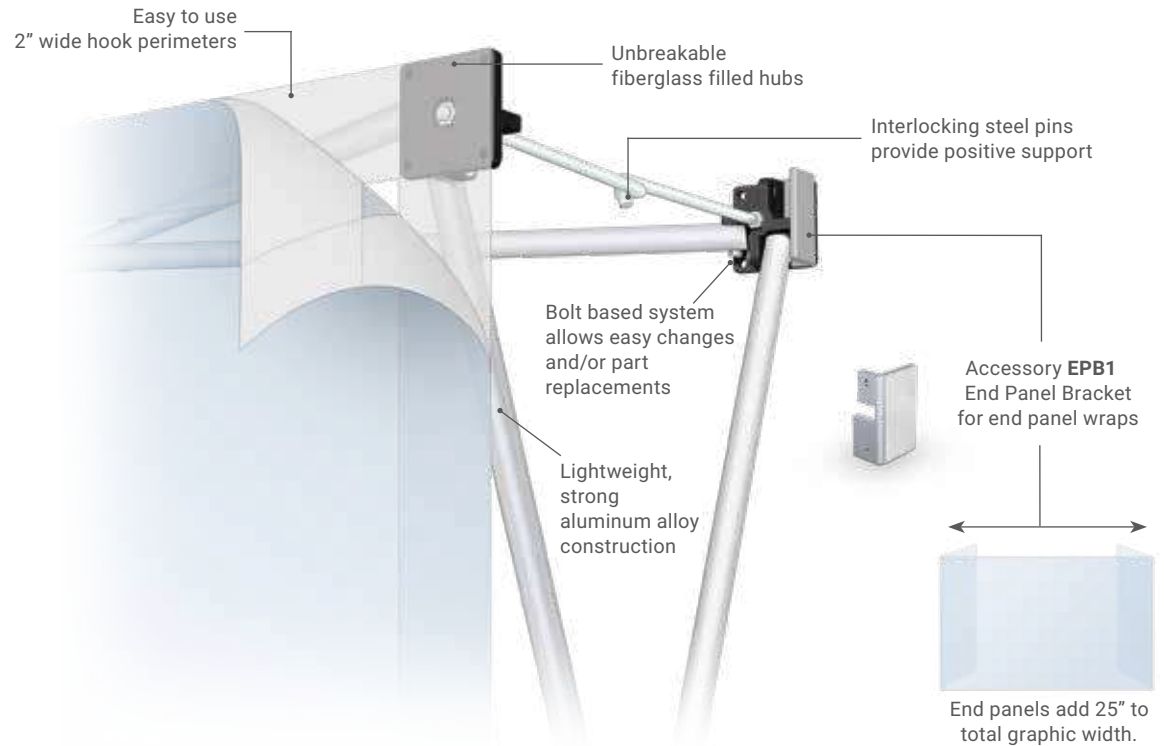
Presto Pop-Ups™ - Dye Sub Fabric Graphics

- High impact Dye Sub Printing on fabric
- Virtually “wrinkle free” stretch fabric
- Designed and engineered for this application
- Custom printed from your art work

Specify: **Dye Sub GRAPHIC** Model .

	Without End Panels W x H	with End Panels W x H
GF13A	31" x 88.25"	GF13B 56" x 88.25"
GF22A	59.5" x 59.5"	GF22B 84.5" x 59.5"
GF23A	59.5" x 88.25"	GF23B 84.5" x 88.25"
GF32A	88.25" x 59.5"	GF32B 113.25" x 59.5"
GF33A	88.25" x 88.25"	GF33B 113.25" x 88.25"
GF43A	117.375" x 88.25"	GF43B 142.375" x 88.25"
GF44A	117" x 117"	GF44B 142" x 117"
GF53A	145.75" x 88.25"	GF53B 170.75" x 88.25"
	Curved	
GF33AC	80" x 88.25"	GF33BC 105" x 88.25"
GF43AC	106" x 88.25"	GF43BC 131" x 88.25"

Note: Most Templates available online, Must add bleeds, etc.



The Ultimate in Presentation Convenience!

Our American made frame is the unsurpassed standard in Quality and Value.

These units “Pop-UP” and assemble in minutes. Graphics can stay attached to frame when closed.

Presto Pop-Up displays are ultra easy to set-up and the amazing quality dye sub graphic ensures maximum impact.



Curved Presto Frame **PFK43C**, **GF43BC** graphic with end panels.

Tension Fabric Structures



EPB1 End Panel Brackets

Facilitate the wrapping of the sides, adding 25" to total graphic width. A bracket is needed for each outer hub and assembly is easy. Both straight and curved units can have their sides wrapped.



EPB1 Brackets easily attach to frame with screws.



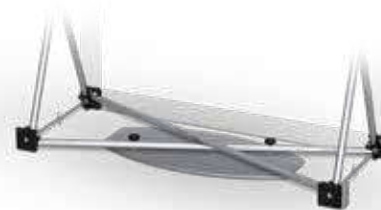
Completely enclosed on 4 sides

Front, back and sides, End Panel Brackets are required, plus an extra Velcro® brand hook perimeter.

PFK32 straight frame, EPB1 end panel brackets, 32VB extra hook perimeter, GF32A and a GF32B graphic.

Curved unit with end panels:

PFK43C curved frame, EPB1 end panel brackets (8), GF43BC graphic face.



Marquise Shaped Steel Weighted Base

PFKWB Laser cut. Must be ordered with frames, as we pre-punch matching holes. Weight 8 lbs.

JB1 Joining Brackets

• Join frames together, call to determine quantity.

