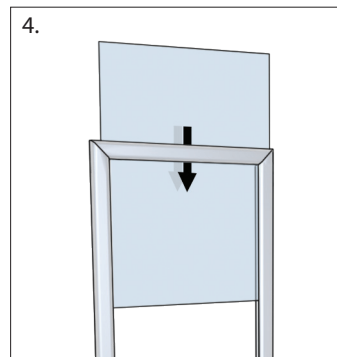
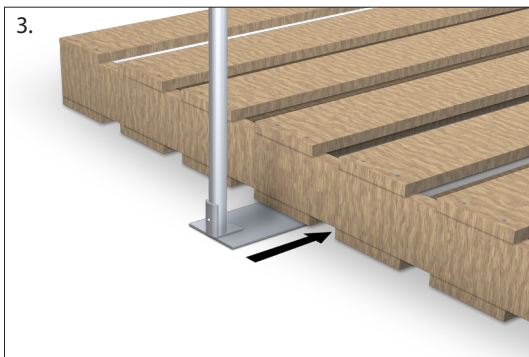
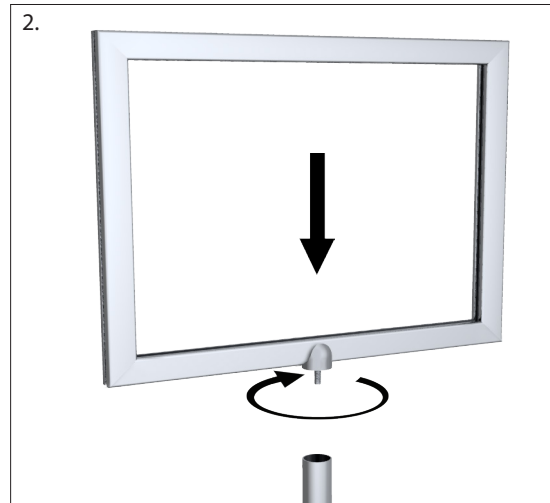
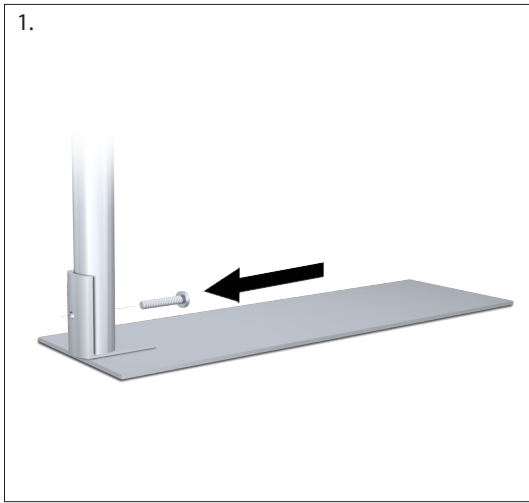


# Pallet Perfex SignHolder™ - PLT-PX1 Series

1. Attach pole to base using Phillips head screw.
2. Attach frame to upright using the screw thread on the bottom of the frame
3. Slide base under pallet to stand up.
4. Insert the graphic.



PLT-PX1H shown