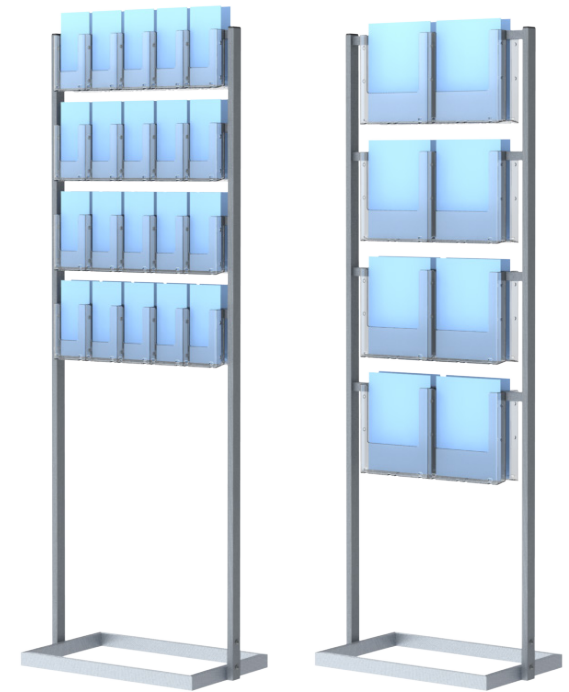
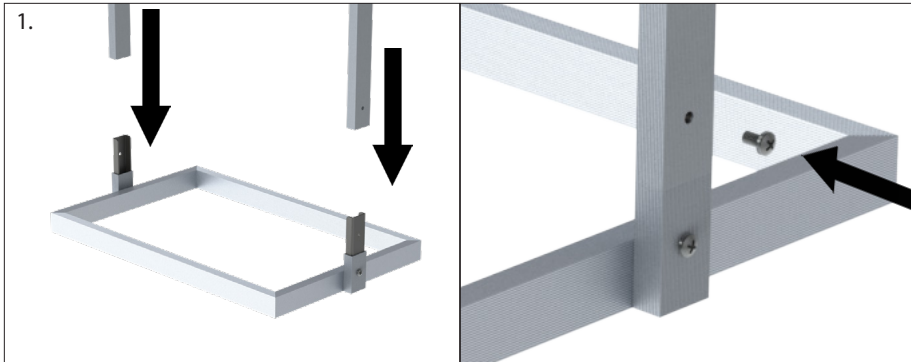


# Communication Center SignHolder™ - LFPB Series

1. Slide the uprights of the frame structure over the stand-off sections of the base and fasten the uprights in place using the screws provided.
2. Slightly loosen the nylon screws to create a gap for mounting the acrylic holders. Place the keyholes of the acrylic holder over the pair of nylon screws.
3. Slightly tighten the nylon screws to secure the acrylic holder.
4. Repeat steps 2 and 3 for the additional acrylic holders (not shown).



LFPB140-S

LFPB216-S

